

Technical Data Sheet

Compressor model **GL60TB**
 Voltage **220-240V 50Hz ~1**
 Refrigerant **R134a**

APPLICATION

COMPRESSOR

MOTOR

Application	High-Medium Back Pressure	Displacement	5,68 cm ³	Nominal Power	1/5 hp
Refrigerant	R134a	Diameter	22,00 mm	Voltage/Frequency	220-240V 50Hz
Evaporating Temp.	-25,0 °C to 10,0 °C	Stroke	14,92 mm	Voltage range	187-264 V
Expansion	Capillar/Valve	Net Weight	8,65 Kg	Type	CSIR
Comp. Cooling	Fan cooled	Oil type	ISO VG 32 ESTER	Phase number	1 PH
Max. ambient temp.	43,0 °C	Oil charge	260 cm ³	Locked Rotor Amps (LRA)	8,30 A
Compatible refriger.	R1234yf			Max. Cont. Current (MCC)	2,30 A
				Main W. resist. at 25°C	15,67 Ω
				Start W. resist. at 25°C	29,50 Ω

NOMINAL PERFORMANCE

APPROVALS

	ASHRAE	CECOMAF
Cooling Capacity	450 kCal/h	436 W
COP	2,09 W/W	1,81 W/W
EER	1,80 kCal/Wh	1,56 kCal/Wh
Input Power	250 W	242 W
Current	1,50 A	1,46 A



TEST CYCLE CONDITIONS

	ASHRAE HMBP (D)	CECOMAF HMBP (C)
Evaporating temp. (T _e)	7,2 °C	5,0 °C
Condensing temp. (T _c)	55,0 °C	55,0 °C
Liquid temp. (T _{liq.})	46,0 °C	55,0 °C
Ambient temp. (T _{amb.})	35,0 °C	32,0 °C
Suction temp. (T _{suction})	35,0 °C	32,0 °C
Voltage/Frequency	220 V 50 Hz	220 V 50 Hz

ELECTRICAL COMPONENTS

	Option 1	Option 2	Option 3
Starting capacitor	47- 56 µF 330 V		
Relay	Option 1	Option 2	
Reference	2014 118.	QLZ-3.75A	
Pick-Up	3,75 A	3.75 A	
Drop-Out	3,20 A	3.20 A	
Protector	Option 1	Option 2	Option 3
Reference	B71-105	T0069	AE26FHY
Current	7,10 A	7,10 A	7,10 A
Time check	7,5-16 seg	7,5-14 seg	7,5-14 seg
Disc temp. (Open/Close)	105,00 / 61,00 °C	105,00 / 62,00 °C	105,00 / 62,00 °C

ASHRAE

Tc °C	Te °C	Cooling Capacity kCal/h	Consumption W	Current A	COP W/W	EER kCal/Wh
40	-25	120	125	1,10	1,12	0,96
40	-20	162	137	1,12	1,37	1,18
40	-15	212	150	1,15	1,65	1,42
40	-10	273	164	1,19	1,93	1,66
40	-5	342	179	1,23	2,22	1,91
40	0	421	195	1,28	2,51	2,16
40	5	508	212	1,34	2,79	2,40
40	7,2	550	220	1,37	2,91	2,50
40	10	606	230	1,42	3,06	2,63

45	-25	110	125	1,10	1,02	0,88
45	-20	148	139	1,13	1,24	1,07
45	-15	195	153	1,16	1,48	1,28
45	-10	252	169	1,20	1,74	1,49
45	-5	317	185	1,25	1,99	1,71
45	0	392	203	1,31	2,25	1,93
45	5	477	221	1,38	2,50	2,15
45	7,2	517	230	1,41	2,61	2,25
45	10	570	241	1,46	2,75	2,36

50	-25	100	125	1,10	0,93	0,80
50	-20	134	140	1,13	1,12	0,96
50	-15	178	156	1,17	1,33	1,14
50	-10	231	173	1,22	1,55	1,33
50	-5	293	191	1,27	1,78	1,53
50	0	364	211	1,34	2,01	1,73
50	5	445	231	1,42	2,24	1,93
50	7,2	483	240	1,46	2,34	2,01
50	10	535	252	1,51	2,47	2,12

55	-25	90	125	1,10	0,84	0,72
55	-20	121	142	1,13	0,99	0,85
55	-15	161	159	1,18	1,17	1,01
55	-10	210	178	1,23	1,37	1,18
55	-5	268	198	1,29	1,58	1,36
55	0	336	218	1,37	1,79	1,54
55	5	413	240	1,46	2,00	1,72
55	7,2	450	250	1,50	2,09	1,80
55	10	499	263	1,56	2,21	1,90

60	-25	80	125	1,10	0,74	0,64
60	-20	107	143	1,14	0,87	0,75
60	-15	144	162	1,19	1,03	0,88
60	-10	189	183	1,24	1,20	1,04
60	-5	244	204	1,31	1,39	1,20
60	0	308	226	1,40	1,58	1,36
60	5	381	249	1,50	1,78	1,53
60	7,2	417	260	1,55	1,86	1,60
60	10	464	274	1,61	1,97	1,70

65	-25	70	125	1,10	0,65	0,56
65	-20	94	145	1,14	0,75	0,65
65	-15	126	166	1,19	0,89	0,76
65	-10	168	187	1,26	1,04	0,90
65	-5	220	210	1,34	1,22	1,04
65	0	280	234	1,43	1,39	1,20
65	5	350	259	1,54	1,57	1,35
65	7,2	383	270	1,59	1,65	1,42
65	10	429	285	1,67	1,75	1,51

CECOMAF

Tc °C	Te °C	Cooling Capacity W	Consumption W	Current A	COP W/W	EER kCal/Wh
40	-25	129	126	1,10	1,03	0,89
40	-20	175	138	1,13	1,27	1,10
40	-15	230	151	1,16	1,52	1,32
40	-10	295	165	1,19	1,79	1,54
40	-5	369	180	1,24	2,05	1,77
40	0	453	196	1,29	2,31	2,00
40	5	547	214	1,35	2,56	2,22
40	7,2	592	221	1,38	2,67	2,31
40	10	651	232	1,42	2,81	2,43

45	-25	118	126	1,10	0,94	0,81
45	-20	159	139	1,13	1,14	0,99
45	-15	210	154	1,16	1,36	1,18
45	-10	270	170	1,21	1,59	1,38
45	-5	341	186	1,26	1,83	1,58
45	0	421	204	1,32	2,06	1,78
45	5	510	223	1,39	2,29	1,98
45	7,2	553	231	1,42	2,39	2,06
45	10	610	243	1,47	2,51	2,17

50	-25	107	126	1,10	0,85	0,73
50	-20	143	141	1,13	1,02	0,88
50	-15	190	157	1,17	1,21	1,05
50	-10	246	174	1,22	1,41	1,22
50	-5	312	193	1,28	1,62	1,40
50	0	388	212	1,34	1,83	1,58
50	5	473	232	1,42	2,04	1,76
50	7,2	514	242	1,46	2,13	1,84
50	10	569	254	1,52	2,24	1,94

55	-25	95	126	1,10	0,76	0,65
55	-20	128	142	1,14	0,90	0,78
55	-15	170	160	1,18	1,06	0,92
55	-10	222	179	1,23	1,24	1,07
55	-5	284	199	1,30	1,43	1,23
55	0	355	220	1,37	1,62	1,40
55	5	436	242	1,46	1,81	1,56
55	7,2	475	252	1,51	1,89	1,63
55	10	527	265	1,57	1,99	1,72

60	-25	84	126	1,10	0,67	0,58
60	-20	112	144	1,14	0,78	0,67
60	-15	150	163	1,19	0,92	0,79
60	-10	198	184	1,25	1,08	0,93
60	-5	255	205	1,32	1,25	1,08
60	0	323	228	1,40	1,42	1,22
60	5	399	251	1,50	1,59	1,37
60	7,2	436	262	1,55	1,67	1,44
60	10	486	276	1,62	1,76	1,52

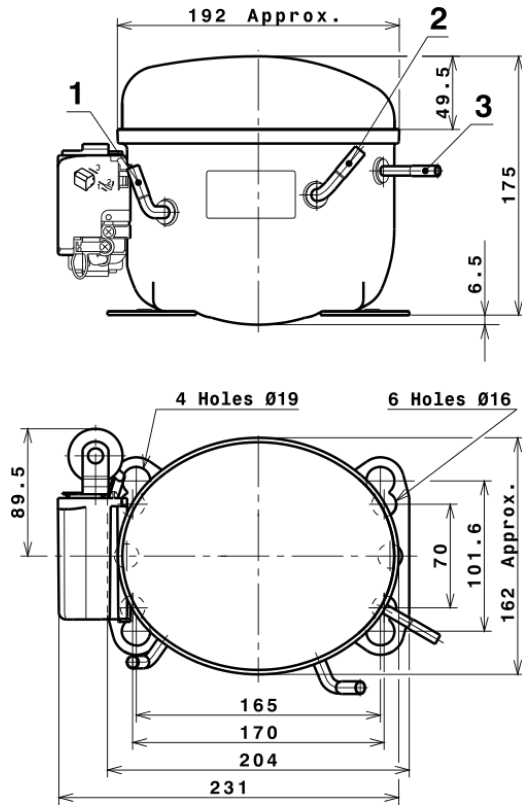
65	-25	73	126	1,10	0,58	0,50
65	-20	97	146	1,14	0,66	0,57
65	-15	130	166	1,20	0,78	0,68
65	-10	174	188	1,26	0,92	0,80
65	-5	227	211	1,34	1,07	0,93
65	0	290	235	1,44	1,23	1,06
65	5	362	260	1,55	1,39	1,20
65	7,2	398	272	1,60	1,46	1,26
65	10	445	286	1,68	1,55	1,34

EN12900

X	Cooling Capacity (W)	Consumption (W)	Current (A)	Mass Flow (kg/h)
1	717,1668397225	137,1344636270	1,0146954944	12,149276886968
2	24,7205152789	0,9100614788	0,0023485375	0,46684746995779
3	-6,7372286911	1,6066394149	0,0069968749	-0,05464007424347
4	0,1911196929	0,0225251423	0,0002411652	0,00549820818523
5	-0,1779367056	0,0642655766	0,0002798750	-0,001063807492824

Equation	$x_1 + x_2Te + x_3Tc + x_4Te^2 + x_5TeTc$
----------	---

COMPRESSOR DIMENSIONS

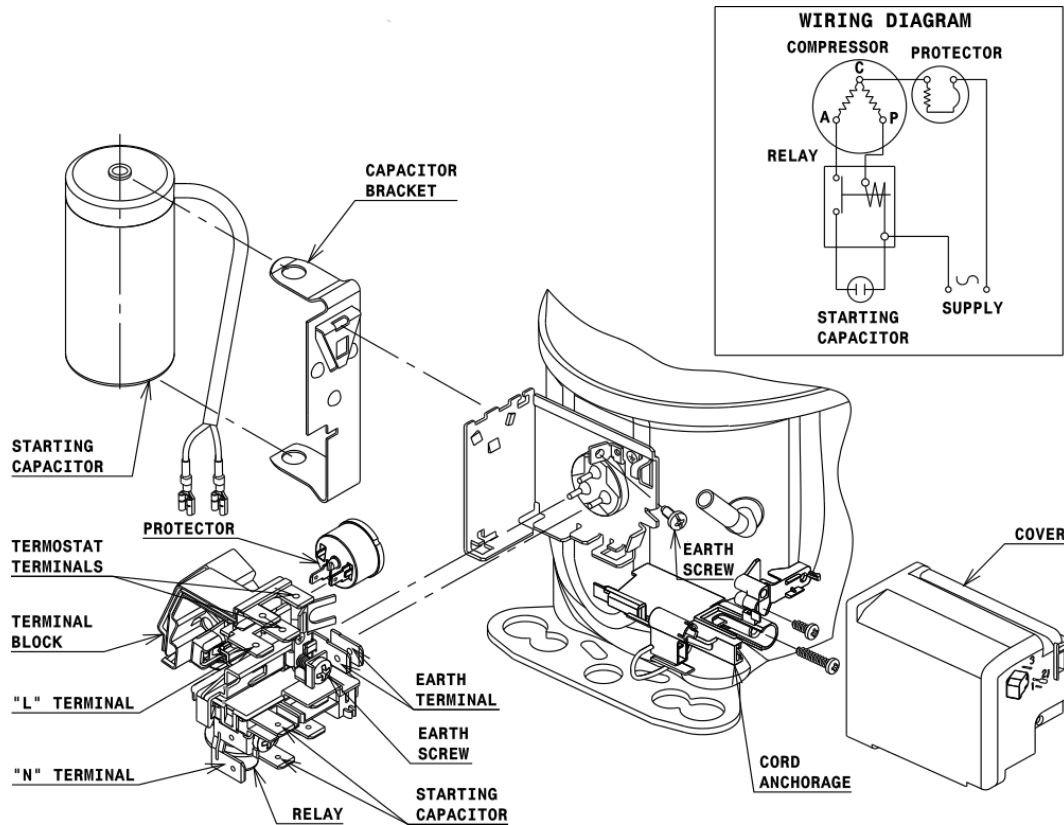


DESIGNATION INTERNAL DIAM.

DESIGNATION	INTERNAL DIAM.
1 Suction	6,5 mm
2 Service	6,5 mm
3 Discharge	4,9 mm

WIRING DIAGRAMS AND ELECTRICAL ASSEMBLY

CSIR CONNECTION (L, P ranges)



FIXINGS



SILENT BLOCKS (MOUNTING ACCESSORIES)

STANDARD

Ø16 holes (170x70 net)



AMERICAN FEET

Ø19 holes (165x101.6 net)



SNAP-ON

Ø16 holes (170x70 net)



SOA

SOA R134a HMBP

